

CustomSound™ CS805 2-Way In-Ceiling Loudspeaker



This superb group of architectural speakers embody over 40 years of cutting-edge research in the field of acoustics and loudspeaker design. Musical, refined, and nearly invisible, these speakers can create a beautiful ambience, even in larger spaces. Because their sonic signature is identical to other PSB speakers, the CS series can integrate perfectly as part of home theatres or as the soundtrack of the connected home. Since PSB has in-room, on-wall, outdoor, in-wall and in-ceiling designs at many different price points, it makes it easy to specify an audio system that you know will turn out right, be easy to specify and install, and will absolutely thrill even your most discriminating clients.

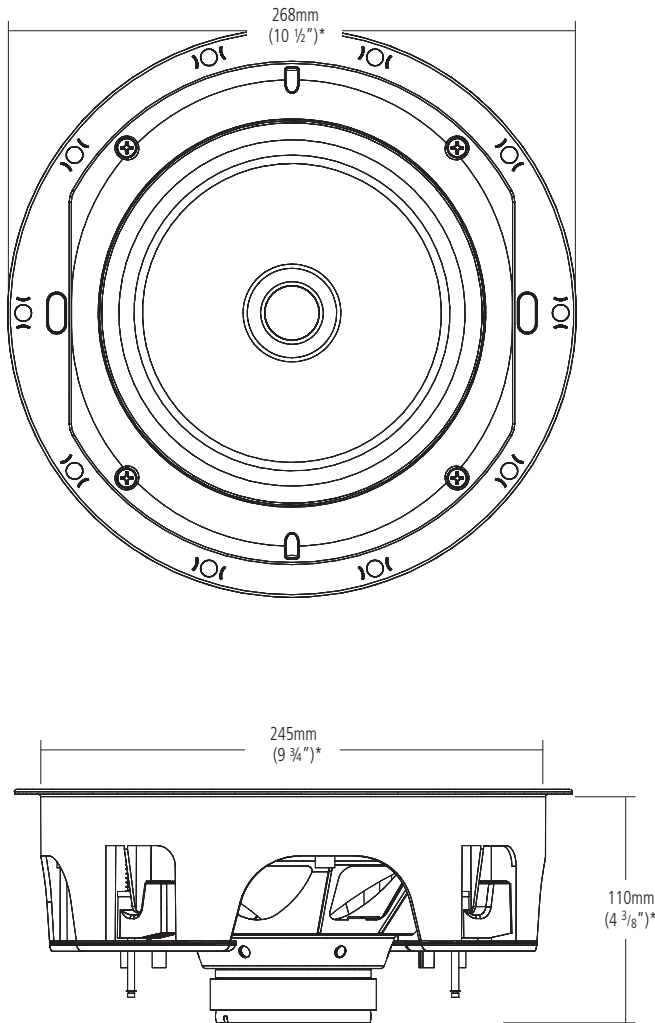
There are seven models in this series, and all feature frameless magnetic grilles with invisible scrims. Both round and square grilles are provided (CS605, CS805 only have round grilles), simplifying and reducing your inventory requirements. Each model features an improved, simple, foolproof mounting system using heavy duty doglegs. Cutting templates are included. Pre-construction brackets and back-cans are also available.

CS805 2-way In-Ceiling Speaker

Our entry level 203mm (8") in-ceiling speaker is able to demonstrate the PSB signature sound at a very reasonable price. Featuring a 25mm (1") treated textile dome and 203mm (8") polypropylene cone, which produce a wide and immersive sound with a deep bass presence, the CS805 can easily handle large room envelopes. It is a speaker which punches well above its weight.

- 203mm (8") 2-way in-ceiling flush mount speaker
- Carbon-filled polypropylene cone
- Proprietary 25mm (1") treated textile dome tweeter
- High strength doglegs for easy installation and removal
- Includes round magnetic frameless grille

CustomSound CS805 2-Way In-Ceiling Loudspeaker



Frequency Response (Anechoic Chamber)

On Axis @ 0°±3dB 48-20kHz

Sensitivity (1W (2.83V) @ 1M, IEC-Filtered pink noise, C-weighted)

Anechoic Chamber 85dB
Listening Room 87dB

Impedance

Nominal 6 Ohms
Minimum 4 Ohms

Input Power (RMS, Clipping <10% Time)

Recommended 10-100 Watts

Acoustic Design

Tweeter (Nominal) 25mm (1") Treated Textile dome with ferrofluid
Woofer (Nominal) 203mm (8") Stamped Steel Basket
Black Polypropylene Cone
Foam Surround
Crossover 1st order high pass
Design Type Open back

FINISH/CONSTRUCTION

Back Frame ABS
Grille Material Steel; Perforated w white scrim
Grille Type Frameless
Connectors Spring Loaded Speaker Terminals

Size (W x H x D) (Gross Dimensions)

Mounting Depth 110mm (4 3/8")*
Cutout Diameter 245mm (9 3/4")*
Grill Round 272mm (10 3/4")*
Grill Square 272mm x 272mm (10 3/4" x 10 3/4")*
Round grill supplied

* Non-metric measurements are approximate.

REAL SOUND for REAL PEOPLE
www.PSBspeakers.com